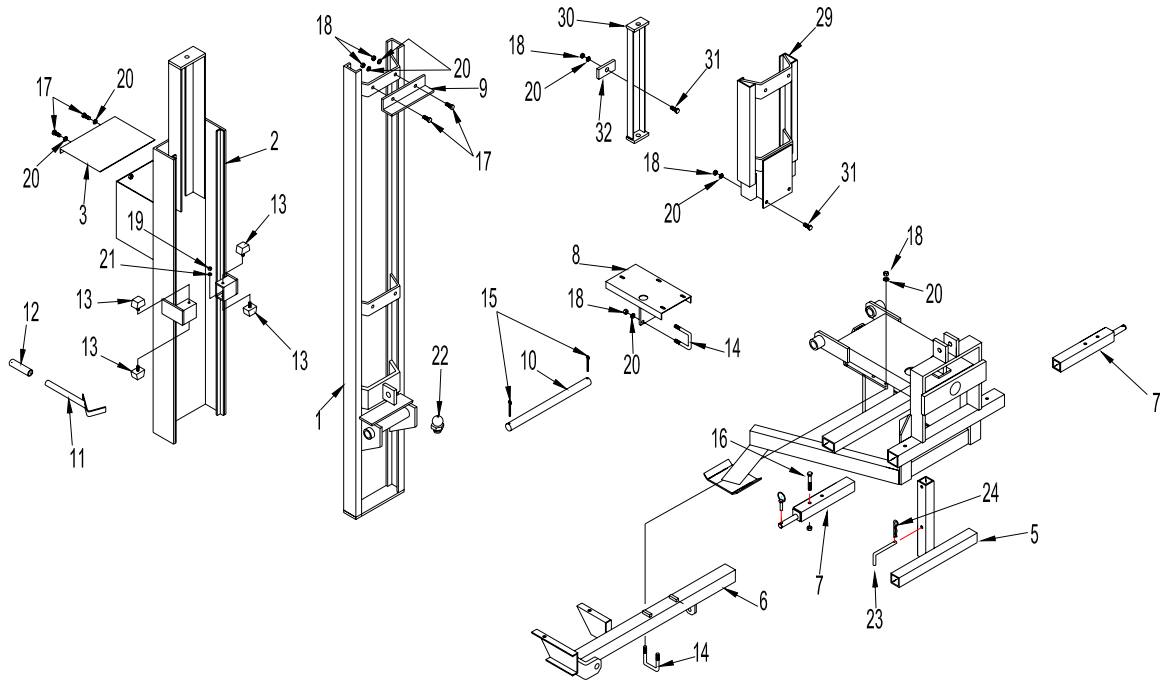


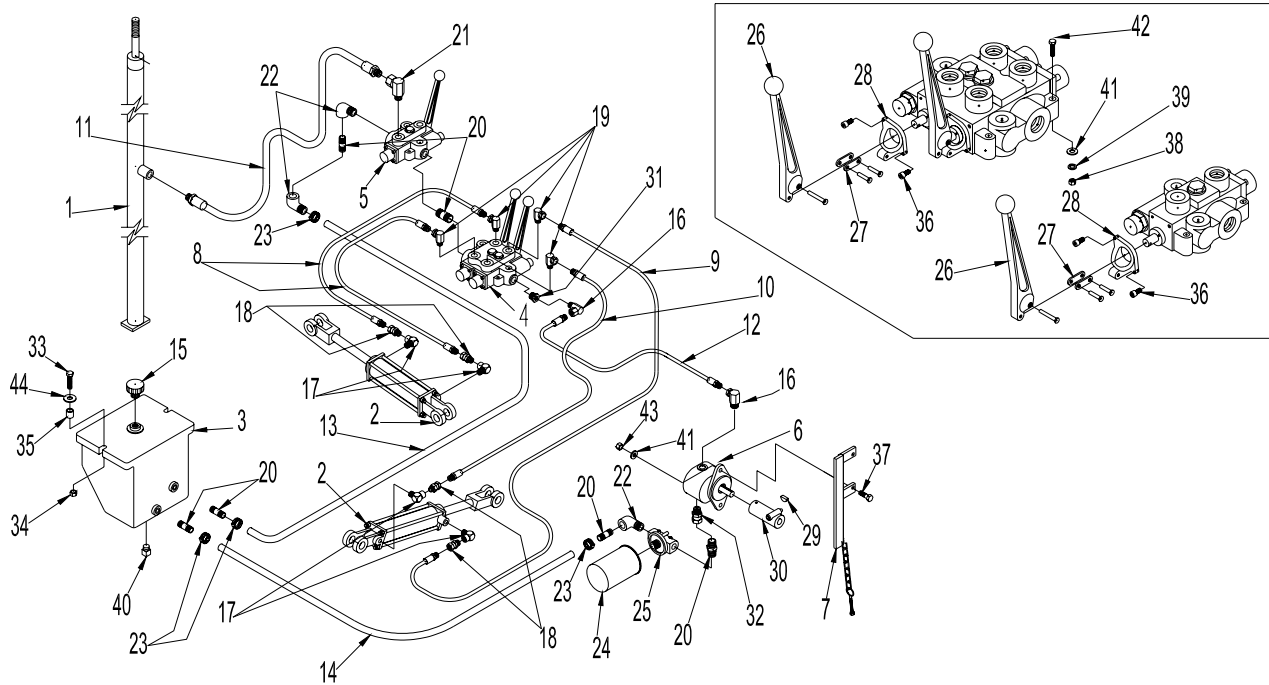
PARTS LIST INDEX
MODEL 1450 POST DRIVER

	Page
Hammer and Mast Assembly	22
Hydraulic System	23
Decals	24
Hammer Cylinder	25
Tilt and Slide Hydraulic Cylinders	26
Post Guide (Optional)	27



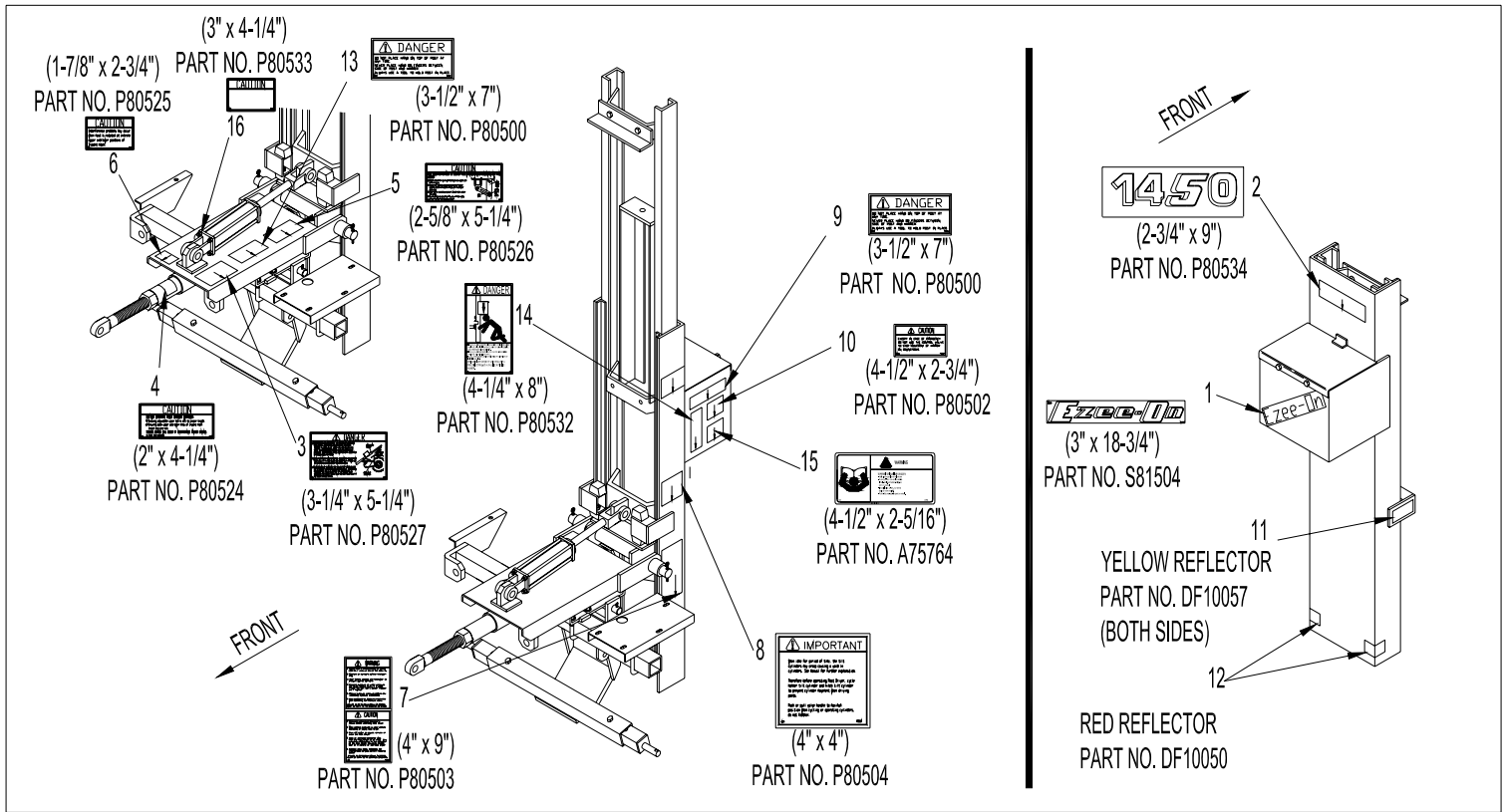
MODEL 1450 HAMMER AND MAST ASSEMBLY

Ref. No.	Part No.	Description	Qty. Req'd
1	P80761	Mast Assembly	1
2	P80762	Hammer Assembly	1
3	P80650	Hammer Lid	1
4	P80800	Stand and Table Assembly	1
5	P80799	Front Leg – Stand	1
6	P80754	Lower Cylinder Support	2
7	P80755	Inner Hitch Tube	1
8	P80756	Valve Plate Mount Bracket	1
9	P80757	Bumper Stop	1
10	PH80661	Pivot Pin (Mast)	1
11	P80601	Post Holder	1
12	P80602	Rubber Grip - Post Holder	1
13	PH80628	Rubber Stop Block	4
14	M80010	1/2" x 3-1/16" C-C x 3-9/16" U-Bolt	4
15	BP37200	3/8" x 2" Cotter Pin	2
16	B050035	1/2" x 3-1/2" N.C. Hex Bolt	2
17	B050012	1/2" x 1-1/4" N.C. Hex Bolt	4
18	BN050	1/2" N.C. Hex Nut	15
19	BN037	3/8" N.C. Hex Nut	4
20	BW050L	1/2" Lockwasher	15
21	BW037L	3/8" Lockwasher	4
22	10GN1	1/4 - 28 Grease Zirk	1
23		Lock Pin – Front Leg	1
24		Hair Pin - Cotter	1
25		Cat II Lowing Bushing	2
26		Cat II Upper Bushing	1



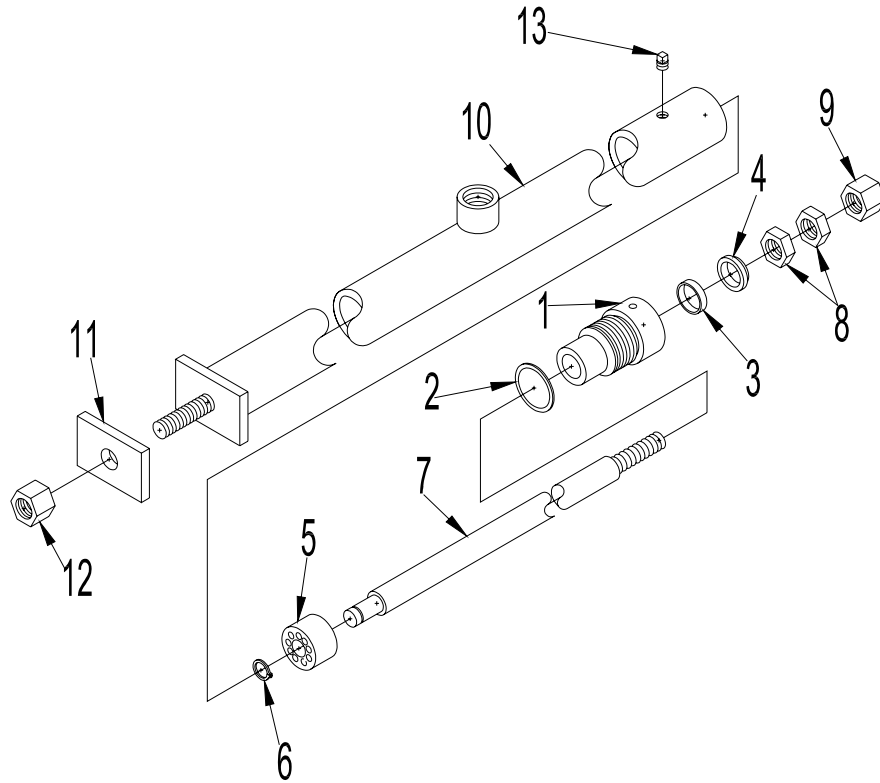
MODEL 1450 HYDRAULIC SYSTEM

Ref. No.	Part No.	Description	Qty. Req'd
1	281	Hammer Cylinder - 1-5/8" Dia. X 63-15/16" Stroke c/w Nuts and Mount Pad	1
2	283	2" x 8" Cylinder c/w Pins	2
3	P80513	Hydraulic Oil Reservoir (Plastic)	1
4	P80750	2 Spool Hydraulic Control Valve	1
*	P80529	Seal Kit - Cross 2 Spool Valve	---
**	P80528	Seal Kit - Cross Single Spool Valve	---
5	P80682	Single Spool Hydraulic Control Valve	1
6	P80703	Pump P.T.O. with O.R.B. Ports (Cassappa)	1
***	P80517	Seal Kit - Cassappa Pump	---
7	P80512	Torque Arm	1
8	L2929	1/4" x 20" Hydraulic Hose c/w 3/8" Ends	2
9	L2909	1/4" x 40" Hydraulic Hose c/w 3/8" Ends	1
10	L2907	1/4" x 35" Hydraulic Hose c/w 3/8" Ends	1
11	P3033	3/4" x 42" Hydraulic Hose c/w 3/4" Ends	1
12	P4329	1/2" x 48" Hydraulic Hose c/w 1/2" Ends	1
13	P4327	1" Fuel Hose x 50" Long (No Ends)	1
14	P4328	1" Fuel Hose x 42" Long (No Ends)	1
15	P80510	Breather Cap	1
16	P80706	7/8" O.R.B. Male x 1/2" N.P.T. x 90 Degree Swivel Street Elbow	1
17	DL5283	3/8" N.P.T. x 90 Degree Street Elbow (Steel)	1
18	P80704	3/8" Male-Female Restricted Orifice Swivel (0.31)	6
19	P80675	1/2" N.P.T. Male x 3/8" N.P.T. Female x 90 Degree Swivel Street Elbow	4
20	BN037L	3/8" Nylon Locknut	2
21	P80694	1/2" N.P.T. Male x 3/4" N.P.T. Female x 90 Degree Female Swivel Street Elbow	6
22	P80695	3/4" N.P.T. x 90 Degree Swivel Street Elbow	1
23	A70728	1-1/2" Hose Clamp	4
24	P80700	Oil Filter	4
25	P80699	Filter Mount	1
26	P80680	Handle - Valve	1
27	P80679	Link Kit	3
28	P80685	Handle Bracket - Cross	3
29	P80588	3/16" Woodruff Key	3
30	P80687	540 P.T.O. Adapter - 3/4" Diameter	1
31	P80698	3/4" N.P.T. Male x 1/2" N.P.T. Female Reducing Bushing - Steel	1
32	P80708	1-1/16" O.R.B. Male x 3/4" N.P.T. Female Swivel Adapter	1
33	B050012	1/2" x 1-1/4" N.C. Capscrew	2
34	BN050L	1/2" N.C. Hex Nylon Locknut	2
35	BW050L	1/2" Lockwasher	2
36	---	1/4" N.C. x 1/2" Socket Head Capscrew	6
37	B037015	3/8" x 1-1/2" N.C. Hex Bolt	7
38	BN037	3/8" N.C. Hex Nut	7
39	BW037L	3/8" Lockwasher	7
40	P80584	3/8" N.P.T. Plug - Square Head	1
41	---	9/16" I.D. Flatwasher	2
42	B037020	3/8" x 2" N.C. Hex Bolt	2



MODEL 1450 DECALS

Ref. No.	Part No.	Description	Qty. Req'd
1	S81504	Ezee-On Decal (3" x 18-3/4")	1
2	P80534	1450 Decal (2-3/4" x 9")	1
3	P80527	Danger Decal (3-1/4" x 5-1/4")	1
4	P80524	Caution Decal (2" x 4-1/4")	1
5	P80525	Caution Decal (1-7/8" x 2-3/4")	1
6	P80503	Warning Decal (4" x 9")	1
7	P80504	Important Decal (4" x 4")	1
8	P80500	Danger Decal (3-1/2" x 7")	1
9	P80502	Caution Decal (2-3/4" x 4-1/2")	1
10	DF10057	Yellow Reflector (2" x 4")	2
11	DF10050	Red Reflector (2" x 4")	2
12	P80505	Danger Decal (1-7/8" x 5-1/4")	1
13	P80532	Danger Decal (4-1/4" x 8")	1
14	A75764	Warning Decal (4-1/2" x 2-5/16")	1
15	P80533	Caution Decal (3" x 4-1/4")	1

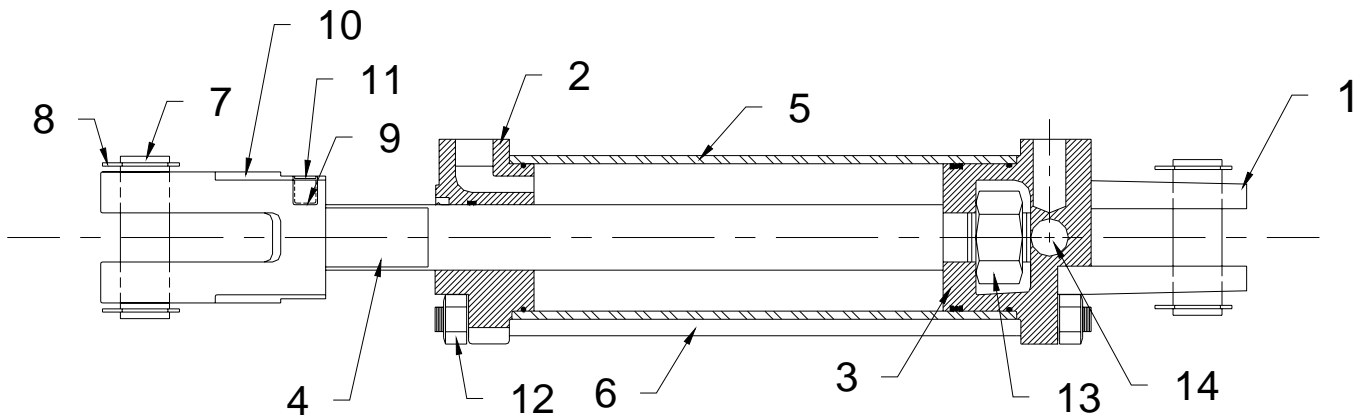


MODEL 1450 HAMMER CYLINDER

REF. NO.	PART NO.	DESCRIPTION	QTY. REQ'D
1	16HP1	1-5/8" O.D. x 7/8" I.D. Headplate (N5)	1
2	100R5	1-3/4" O.D. x 1-1/2" I.D. x 1/8" O-Ring	1
3	10RS8	7/8" I.D. Rod Seal	1
4	10WS8	7/8" I.D. Wiper Seal	1
5	16PB1	1-5/8" Dia. Rod Guide	1
6	10RR1	5/8" Dia. Shaft Retaining Ring	1
7	10SH56	7/8" Dia. x 73-1/8" Long Cylinder Shaft	1
8	10NU7	3/4" - 16 UNF Hex Jam Nut (Grade 2)	2
9	10NU8	3/4" - 16 UNF Hex Nylon Locknut (Grade 5)	1
10	16TU1	1-5/8" x 69-1/4" Barrel	1
11	P80522	3/8" x 2-1/4" x 3-1/4" Mount Pad	1
12	10NU9	5/8" - 18 UNF Hex Nylon Locknut (Grade 5)	1
13	P80705	1/8" N.P.T. SQ. Head Plug	1

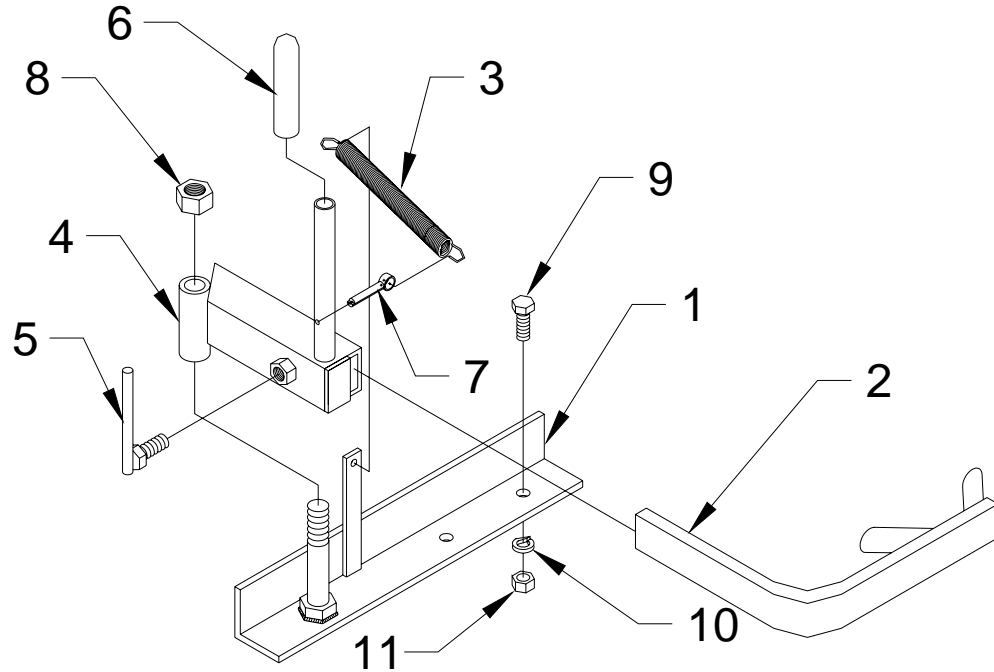
SEAL KIT - NO. 1608N5 - HAMMER CYLINDER

KIT NO.	DESCRIPTION	QTY. REQ'D
100R25	1-3/4" O.D. x 1-1/2" I.D. x 1/8" O-Ring	1
100R8	7/8" I.D. Rod Seal	1
10WS8	7/8" I.D. Wiper Seal	1



**MODEL 1450
HYDRAULIC CYLINDERS - MONARCH (SLIDE, and TILT)**

REF. NO.	MONARCH PART NO.	DESCRIPTION	MONARCH 2" x 8" QTY. REQ'D
1	492805	Clevis Cap (for 1" Pin)	1
2	492806	Rod Cap	1
3	492548	2" Dia. Piston	1
4	492581	Rod (8" Stroke)	1
5	491608	Tube (8" Stroke)	1
6	492216	Tie Rod (8" Stroke)	4
7 & 8	640091	Pin (2) (for 1" Dia.)	2
9	498006	Third Lock	1
10	492650	Rod Clevis (for 1" Pin)	1
11	148390	Set Screw	1
12	128230	Nut - Tie Rod	8
13	129090	Nut - Piston	1
14	196530	Plug	1
**	639572	Seal Kit (Rod Dia. 1-1/8")	1



POST GUIDE (OPTIONAL)

REF. NO.	PART NO.	DESCRIPTION	QTY REQ'D
1	P80732	Mounting Bracket	1
2	P80733	Post Holding Arm	1
3	A70157	Extension Spring	1
4	P80734	Arm Actuator	1
5	P80735	Lock Bolt	1
6	P80602	Rubber Grip	1
7	BP25200	¼" x 2" Cotter Pin	1
8	BN100L	1" N.C. Hex Nylon Lock Nut	1
9	B062015	5/8" x 1-1/2" Hex Bolt	1
10	BW062L	5/8" Lockwashers	1
11	BN062	5/8" Hex Nut	1